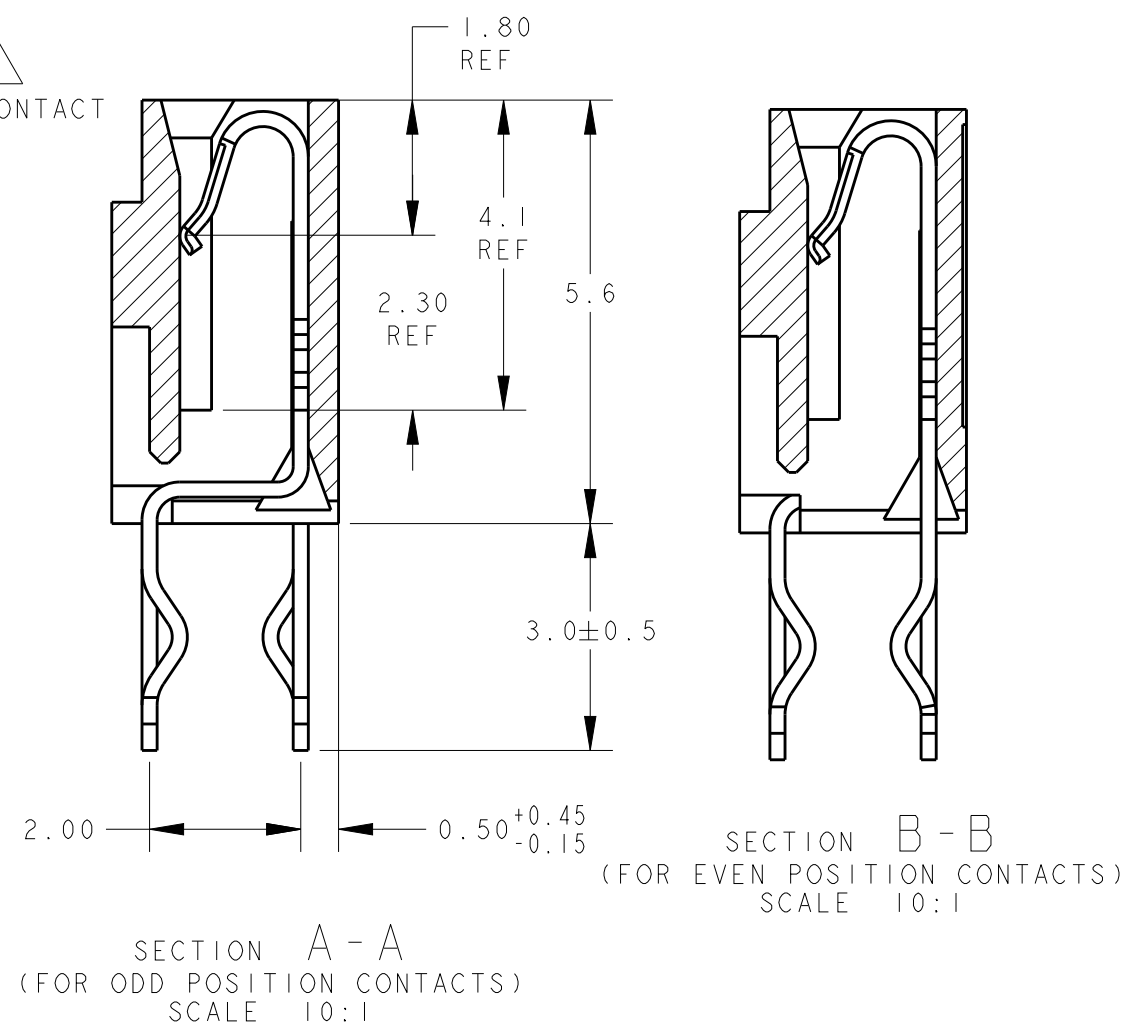
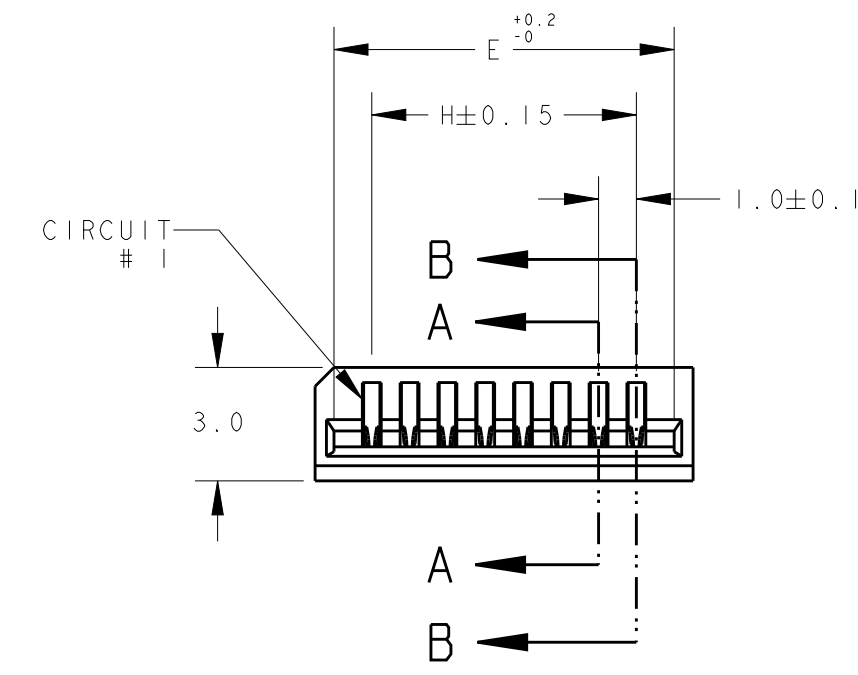
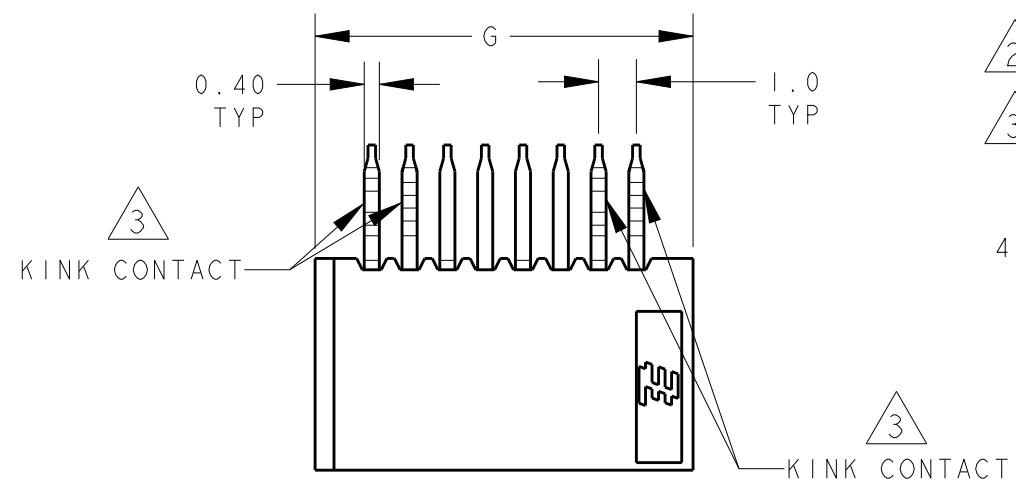


THIS DRAWING IS UNPUBLISHED. RELEASED FOR PUBLICATION 20  
 © COPYRIGHT 20 BY - ALL RIGHTS RESERVED.

| LOC | DIST | REVISIONS                    |         |     |      |
|-----|------|------------------------------|---------|-----|------|
| P   | LTR  | DESCRIPTION                  | DATE    | DWN | APVD |
| DY  | -    | E3 REVISED PER ECR-13-003471 | 25FEB13 | RW  | SY   |

- NOTES:
- 1 MATERIAL:  
HOUSING: GLASS FILLED PBT, NATURAL COLOR (WHITE)  
CONTACT: PHOSPHOR BRONZE
  - 2 FINISH: MATTE TIN OVER NICKEL UNDERPLATE
  - 3 KINK CONTACTS LOCATION:  
8P & BELOW: ALL POSITIONS  
9P & ABOVE: 4 CONTACTS (2 PAIRS) EACH END
  - 4. PACKAGING: TUBE

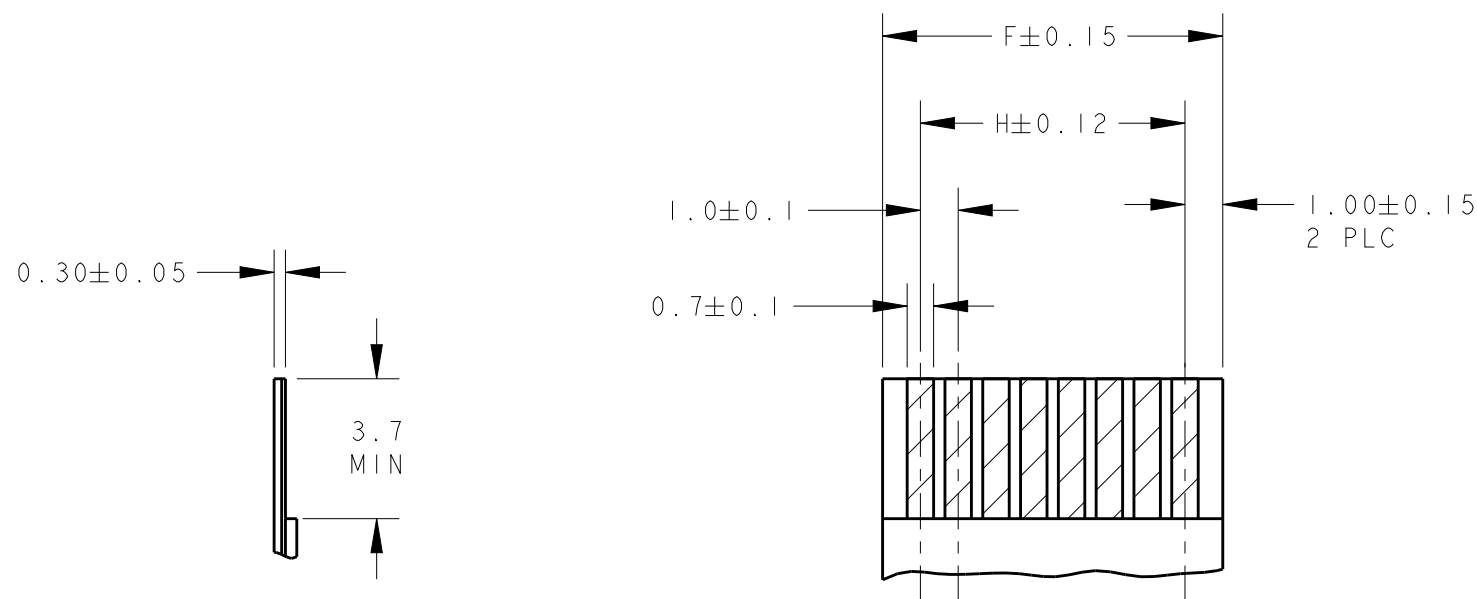


|       |       |       |       |      |           |
|-------|-------|-------|-------|------|-----------|
| 29.00 | 32.00 | 31.00 | 31.00 | 30   | 3-84984-0 |
| 28.00 | 31.00 | 30.00 | 30.00 | 29   | 2- -9     |
| 27.00 | 30.00 | 29.00 | 29.00 | 28   | 2- -8     |
| 26.00 | 29.00 | 28.00 | 28.00 | 27   | 2- -7     |
| 25.00 | 28.00 | 27.00 | 27.00 | 26   | 2- -6     |
| 24.00 | 27.00 | 26.00 | 26.00 | 25   | 2- -5     |
| 23.00 | 26.00 | 25.00 | 25.00 | 24   | 2- -4     |
| 22.00 | 25.00 | 24.00 | 24.00 | 23   | 2- -3     |
| 21.00 | 24.00 | 23.00 | 23.00 | 22   | 2- -2     |
| 20.00 | 23.00 | 22.00 | 22.00 | 21   | 2- -1     |
| 19.00 | 22.00 | 21.00 | 21.00 | 20   | 2-84984-0 |
| 18.00 | 21.00 | 20.00 | 20.00 | 19   | 1- -9     |
| 17.00 | 20.00 | 19.00 | 19.00 | 18   | 1- -8     |
| 16.00 | 19.00 | 18.00 | 18.00 | 17   | 1- -7     |
| 15.00 | 18.00 | 17.00 | 17.00 | 16   | 1- -6     |
| 14.00 | 17.00 | 16.00 | 16.00 | 15   | 1- -5     |
| 13.00 | 16.00 | 15.00 | 15.00 | 14   | 1- -4     |
| 12.00 | 15.00 | 14.00 | 14.00 | 13   | 1- -3     |
| 11.00 | 14.00 | 13.00 | 13.00 | 12   | 1- -2     |
| 10.00 | 13.00 | 12.00 | 12.00 | 11   | 1- -1     |
| 9.00  | 12.00 | 11.00 | 11.00 | 10   | 1-84984-0 |
| 8.00  | 11.00 | 10.00 | 10.00 | 9    | -9        |
| 7.00  | 10.00 | 9.00  | 9.00  | 8    | -8        |
| 6.00  | 9.00  | 8.00  | 8.00  | 7    | -7        |
| 5.00  | 8.00  | 7.00  | 7.00  | 6    | -6        |
| 4.00  | 7.00  | 6.00  | 6.00  | 5    | -5        |
| 3.00  | 6.00  | 5.00  | 5.00  | 4    | 84984-4   |
| H     | G     | F     | E     | POS. | PART NO.  |

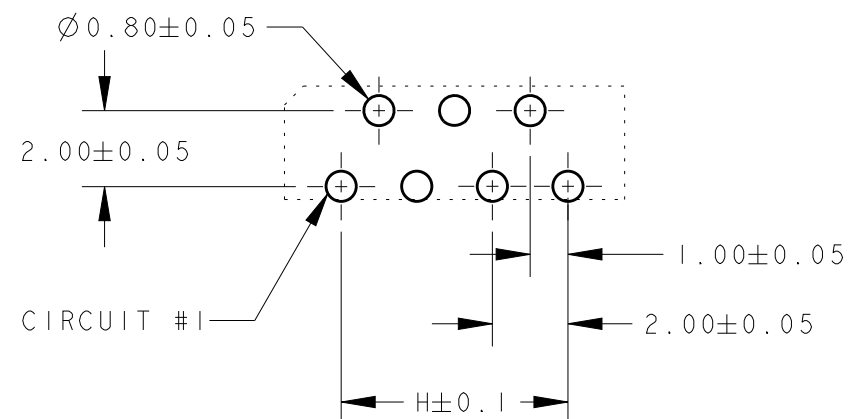
|                                                                               |  |                         |                                   |  |        |
|-------------------------------------------------------------------------------|--|-------------------------|-----------------------------------|--|--------|
| THIS DRAWING IS A CONTROLLED DOCUMENT.                                        |  | DWN WYLEE 15JUN04       | TE Connectivity                   |  |        |
| DIMENSIONS: mm                                                                |  | CHK LP TAN 22NOV2011    |                                   |  |        |
| TOLERANCES UNLESS OTHERWISE SPECIFIED:                                        |  | APVD SF LEONG 22NOV2011 | NAME ASSY, 1.00mm FFC CONN DIP, V |  |        |
| 0 PLC ±0.30<br>1 PLC ±0.30<br>2 PLC ±0.30<br>3 PLC ±<br>4 PLC ±<br>ANGLES ±3° |  | PRODUCT SPEC 108-51058  | SIZE A300779 C-84984              |  |        |
| MATERIAL 1                                                                    |  | FINISH 2                | RESTRICTED TO -                   |  |        |
| Customer Drawing                                                              |  | SCALE 5:1               | SHEET 1 OF 2                      |  | REV E3 |

THIS DRAWING IS UNPUBLISHED. RELEASED FOR PUBLICATION 20  
 © COPYRIGHT 20 BY - ALL RIGHTS RESERVED.

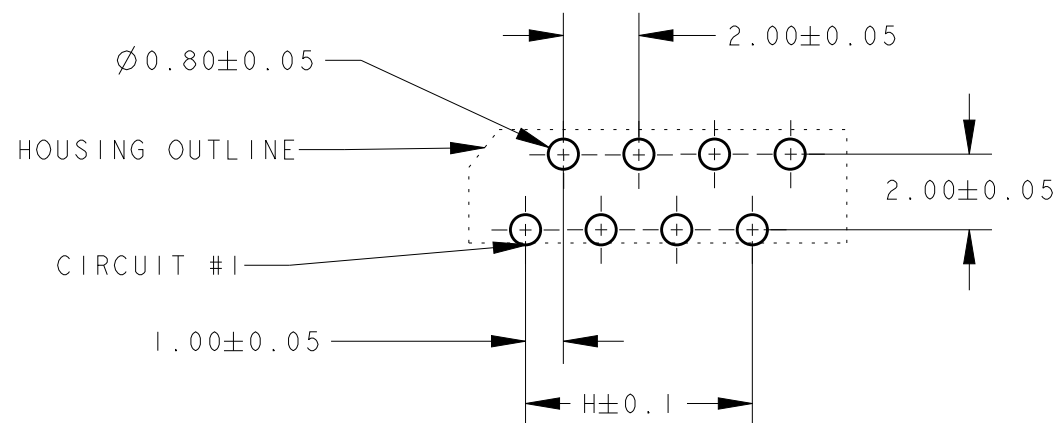
| LOC | DIST | REVISIONS   |      |     |      |
|-----|------|-------------|------|-----|------|
| P   | LTR  | DESCRIPTION | DATE | DWN | APVD |
| DY  | -    | SEE SHEET 1 |      |     |      |



RECOMMENDED FFC/FPC



RECOMMENDED PCB LAYOUT (THK= 1.6±0.1)  
 (FOR ODD POSITION CONNECTORS)  
 NON-ACCUMULATIVE TOLERANCE



RECOMMENDED PCB LAYOUT (THK= 1.6±0.1)  
 (FOR EVEN POSITION CONNECTORS)  
 NON-ACCUMULATIVE TOLERANCE

|                                                                               |  |                           |           |                                         |                 |
|-------------------------------------------------------------------------------|--|---------------------------|-----------|-----------------------------------------|-----------------|
| THIS DRAWING IS A CONTROLLED DOCUMENT.                                        |  | DWN<br>WYLEE              | 15JUN04   | TE Connectivity                         |                 |
| DIMENSIONS:<br>mm                                                             |  | CHK<br>LP TAN             | 22NOV2011 |                                         |                 |
| TOLERANCES UNLESS OTHERWISE SPECIFIED:                                        |  | APVD<br>SEIFONG           | 22NOV2011 | NAME<br>ASSY, 1.00mm FFC CONN<br>DIP, V |                 |
| 0 PLC ±0.30<br>1 PLC ±0.30<br>2 PLC ±0.30<br>3 PLC ±<br>4 PLC ±<br>ANGLES ±3° |  | PRODUCT SPEC<br>108-51058 |           | SIZE<br>A300779                         |                 |
| MATERIAL<br>1                                                                 |  | FINISH<br>2               |           | DRAWING NO<br>C-84984                   |                 |
|                                                                               |  | WEIGHT<br>-               |           | RESTRICTED TO<br>-                      |                 |
| Customer Drawing                                                              |  |                           |           | SCALE<br>5:1                            | SHEET<br>2 OF 2 |
|                                                                               |  |                           |           | REV<br>E3                               |                 |